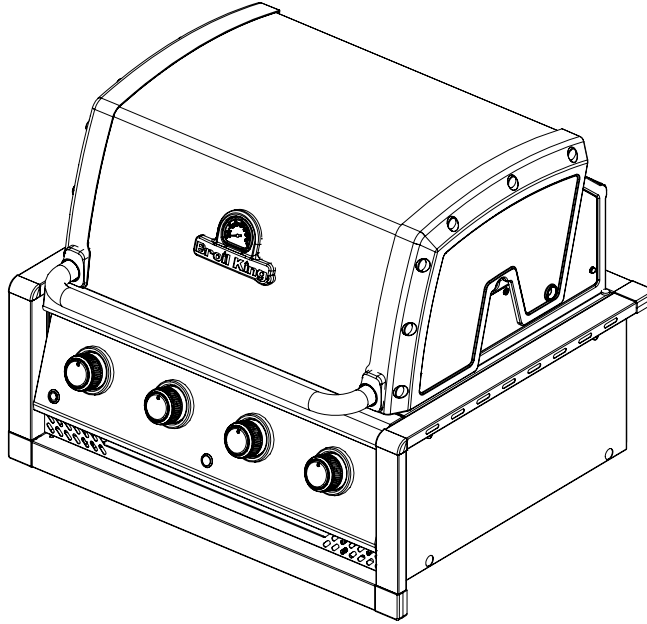


# Broil King®

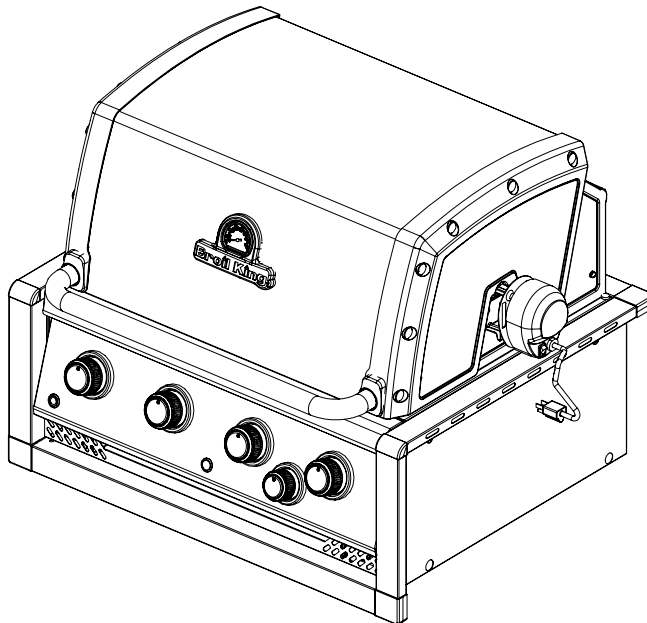
---

---

**Broil King**  
**REGAL 420**  
9856-52  
9856-53  
9856-53IL  
9856-56



**Broil King**  
**REGAL 470**  
8856-72  
8856-73  
8856-73IL  
8856-76  
8857-73

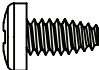
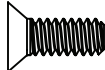
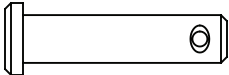
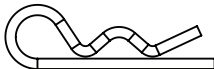
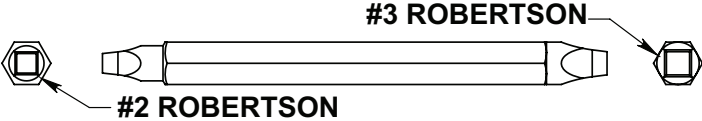


---

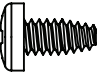
---

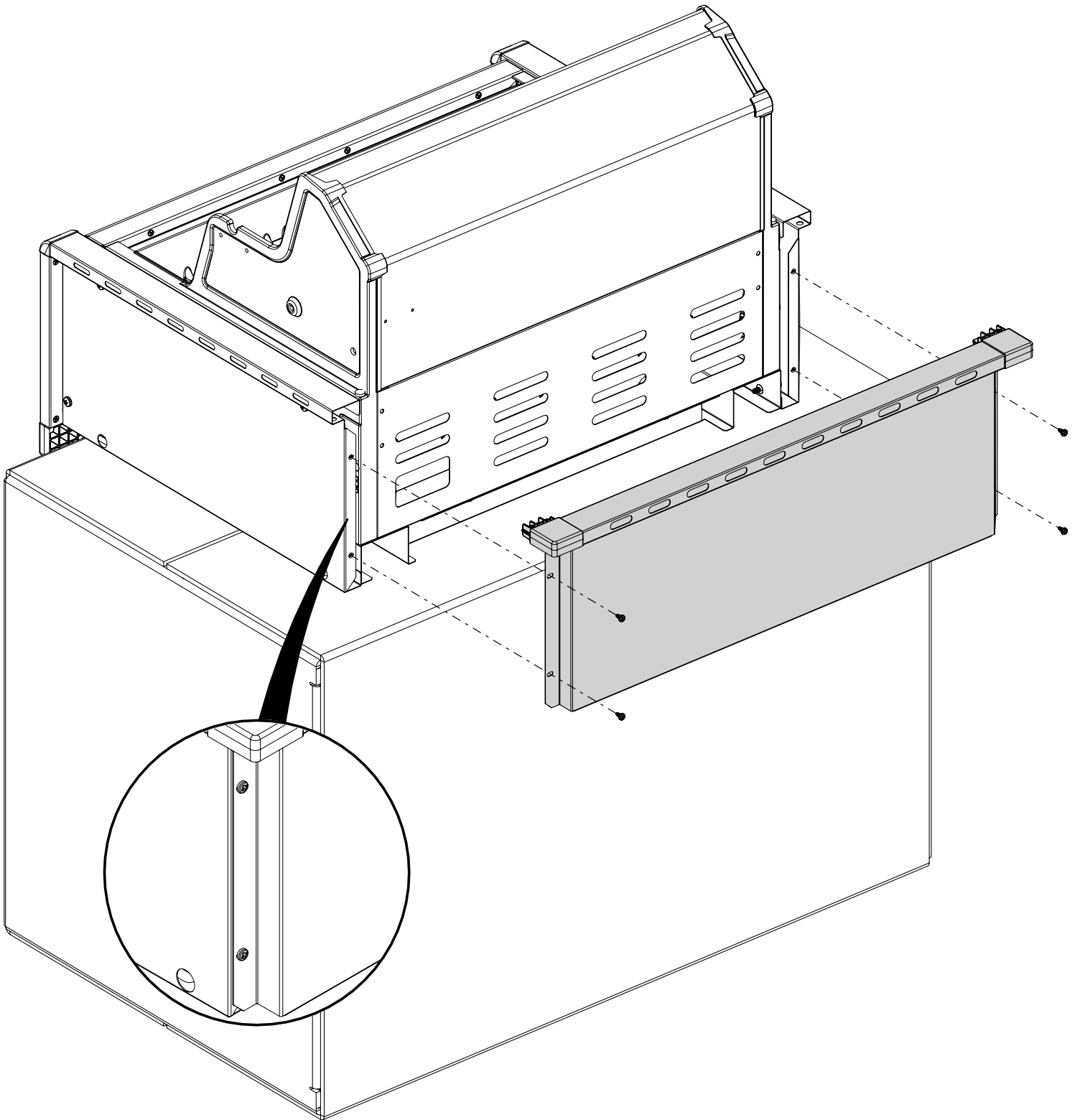
*Onward*  
**MANUFACTURING COMPANY**  
SINCE 1906  
585 KUMPF DRIVE LIMITED  
WATERLOO, ONTARIO, CANADA  
N2V 1K3

**HARDWARE INCLUDED / MATERIAL INCLUS / EQUIPOS INCLUIDO**

Y-29304  (4)	Y-29301  (2)
S21235  (2)	S21233  (2)
 <p>#3 ROBERTSON</p> <p>#2 ROBERTSON</p>	

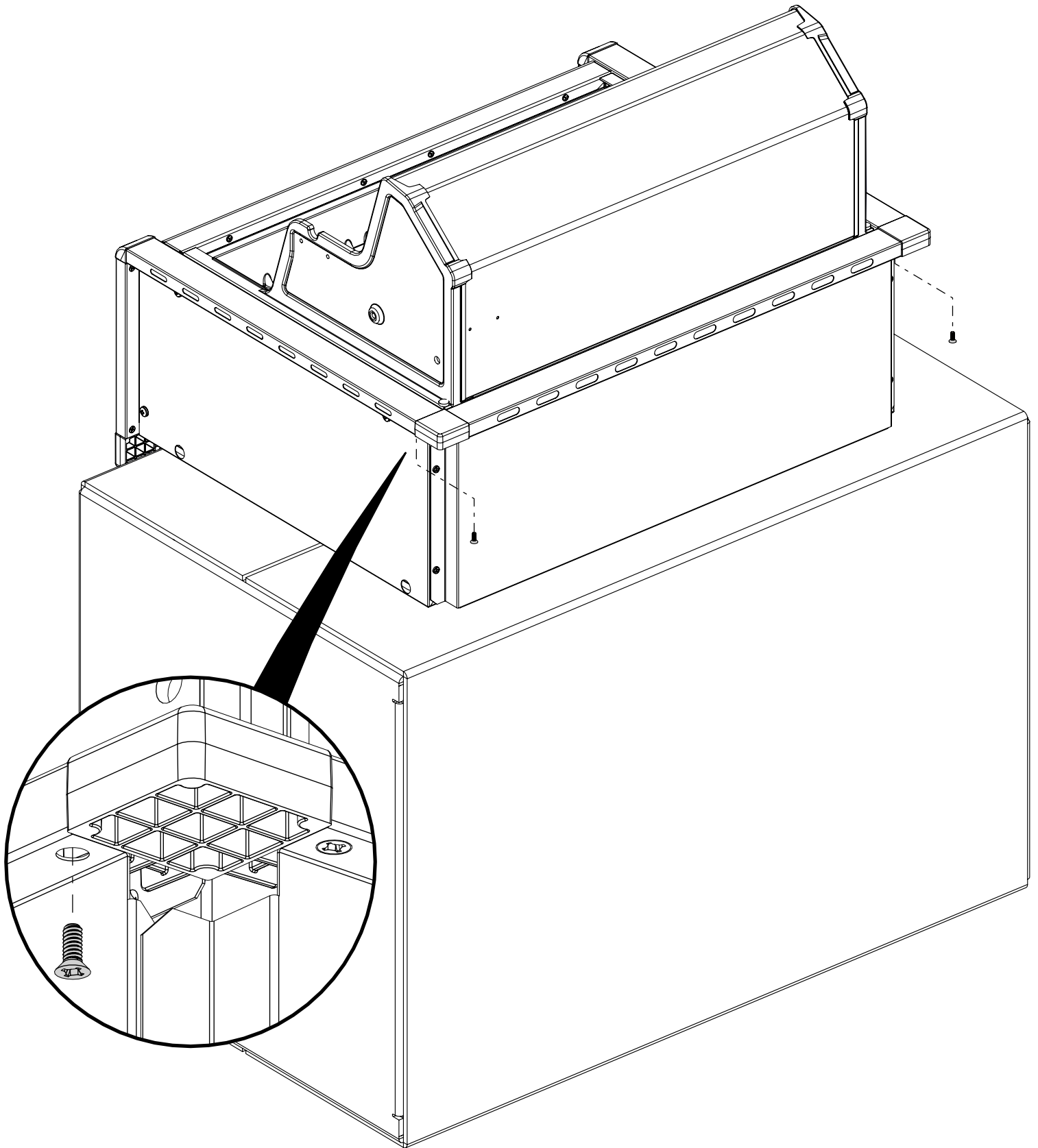
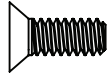
1

(4) 

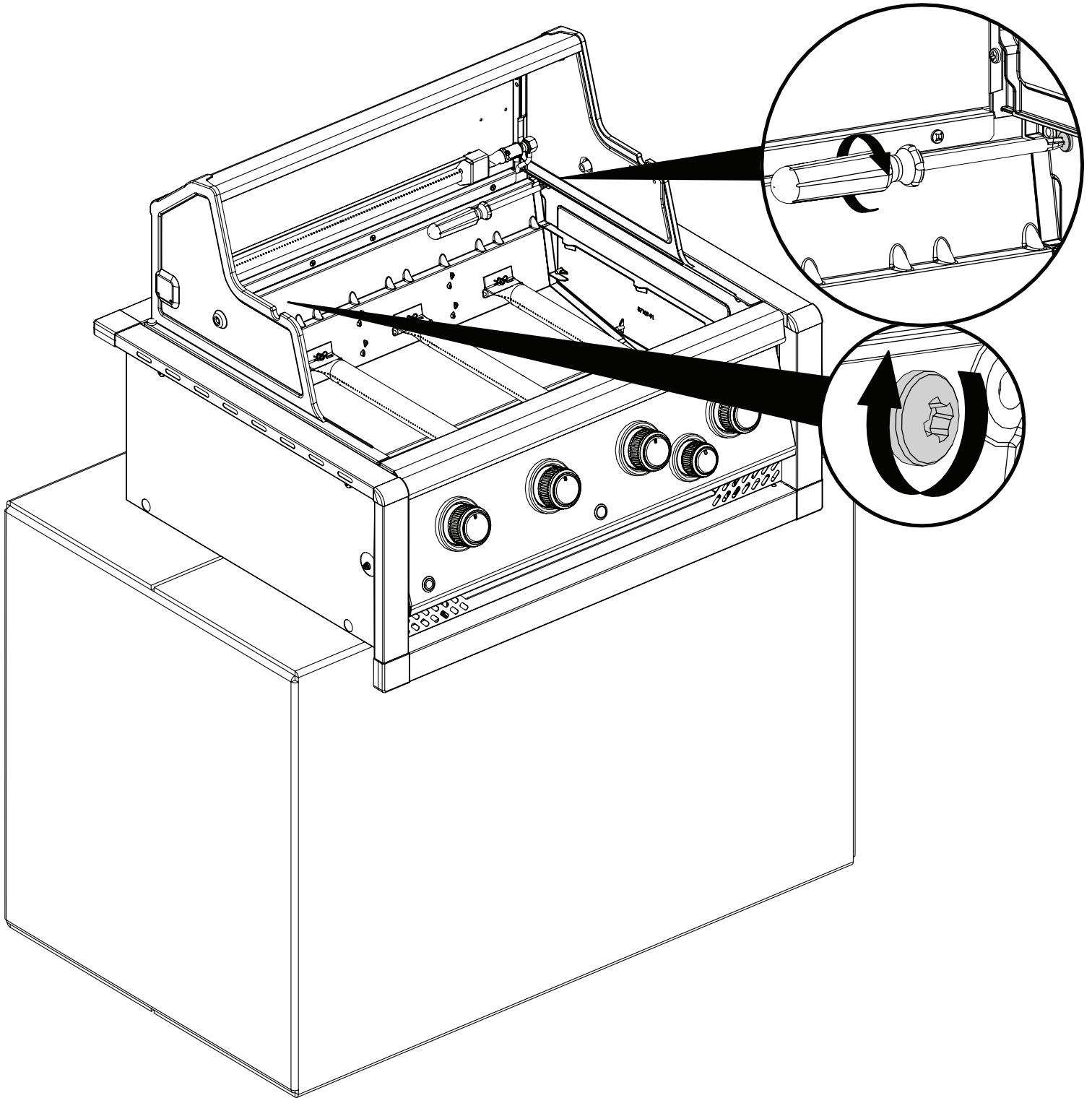


2

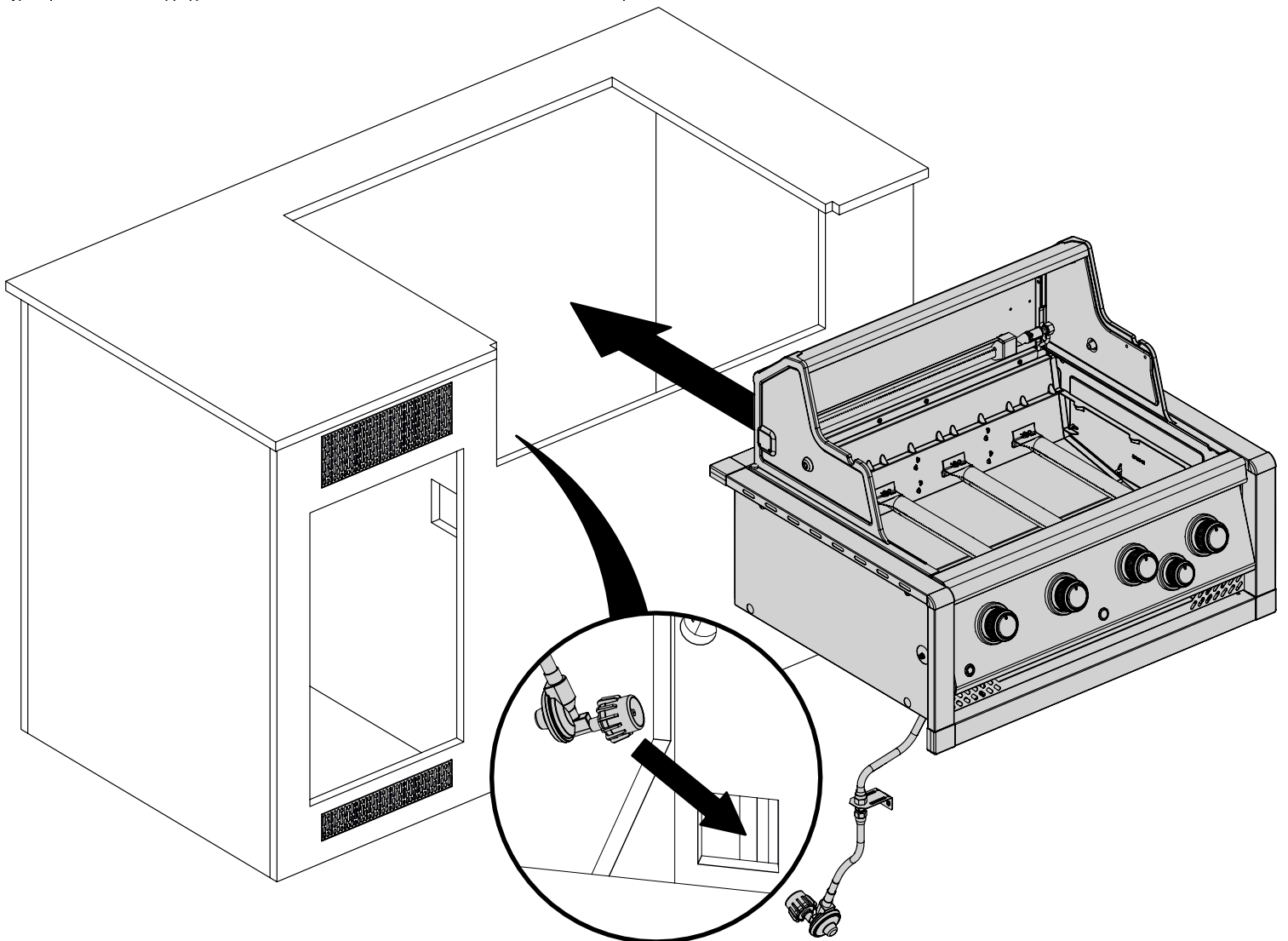
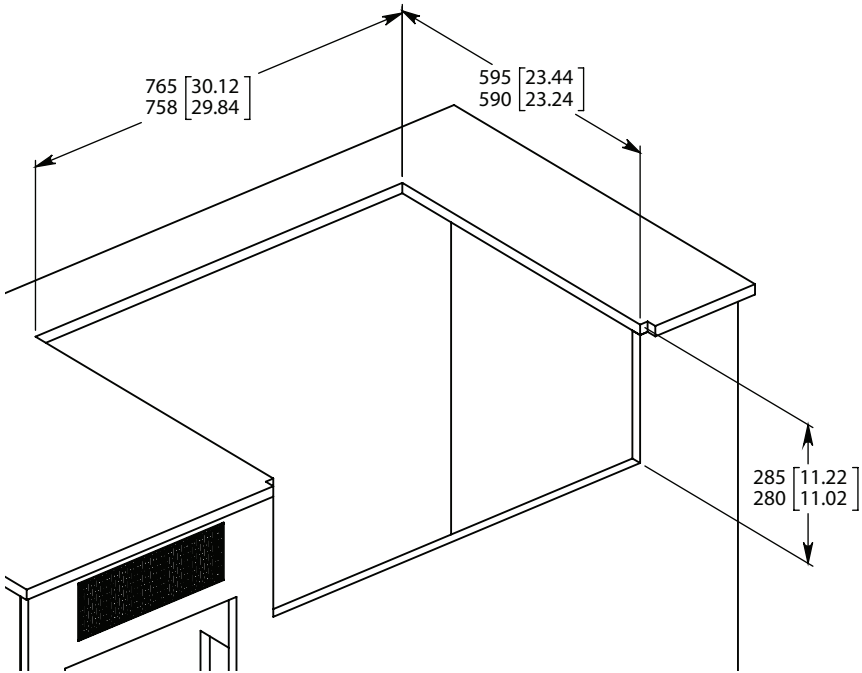
(2)



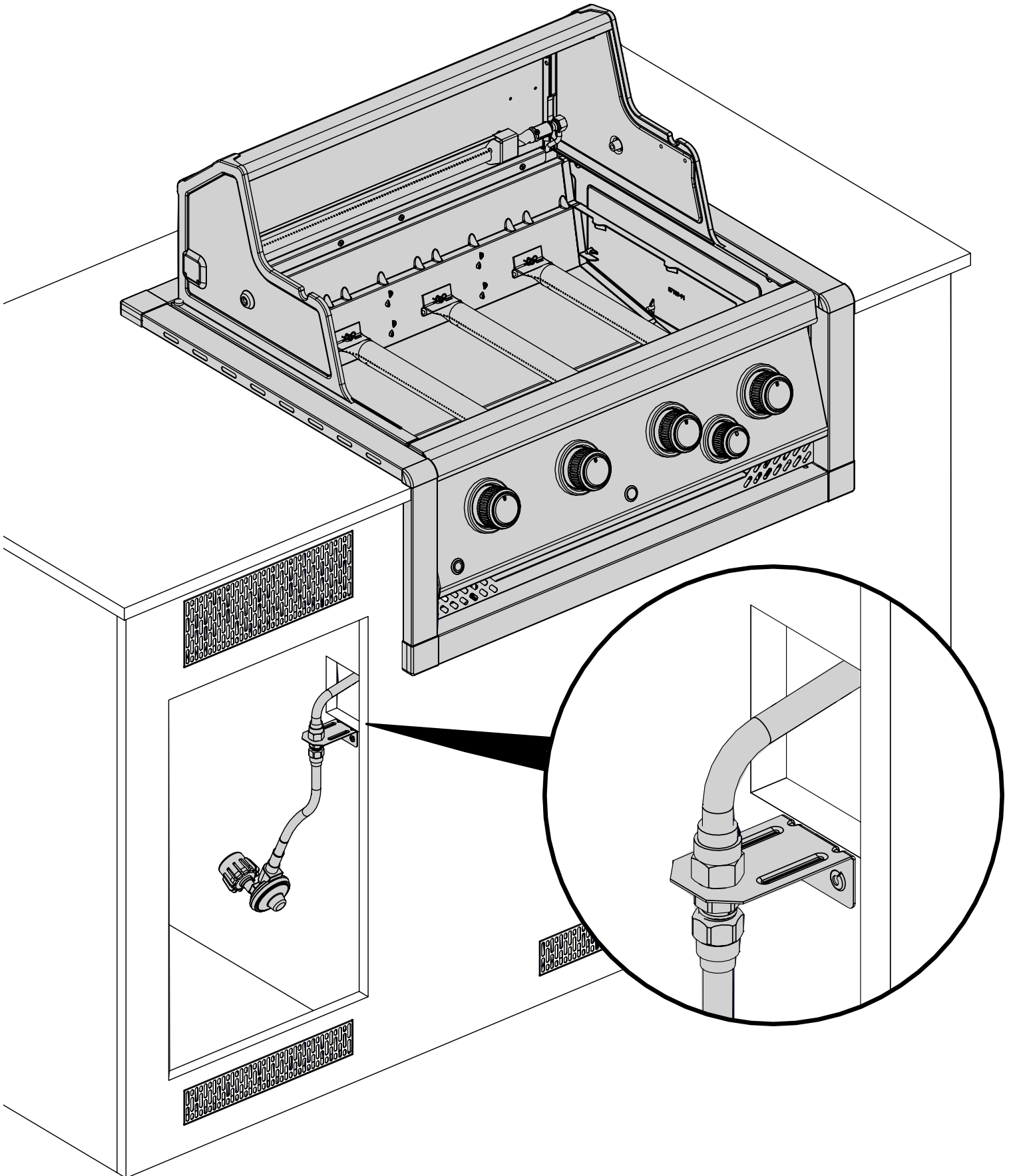
3



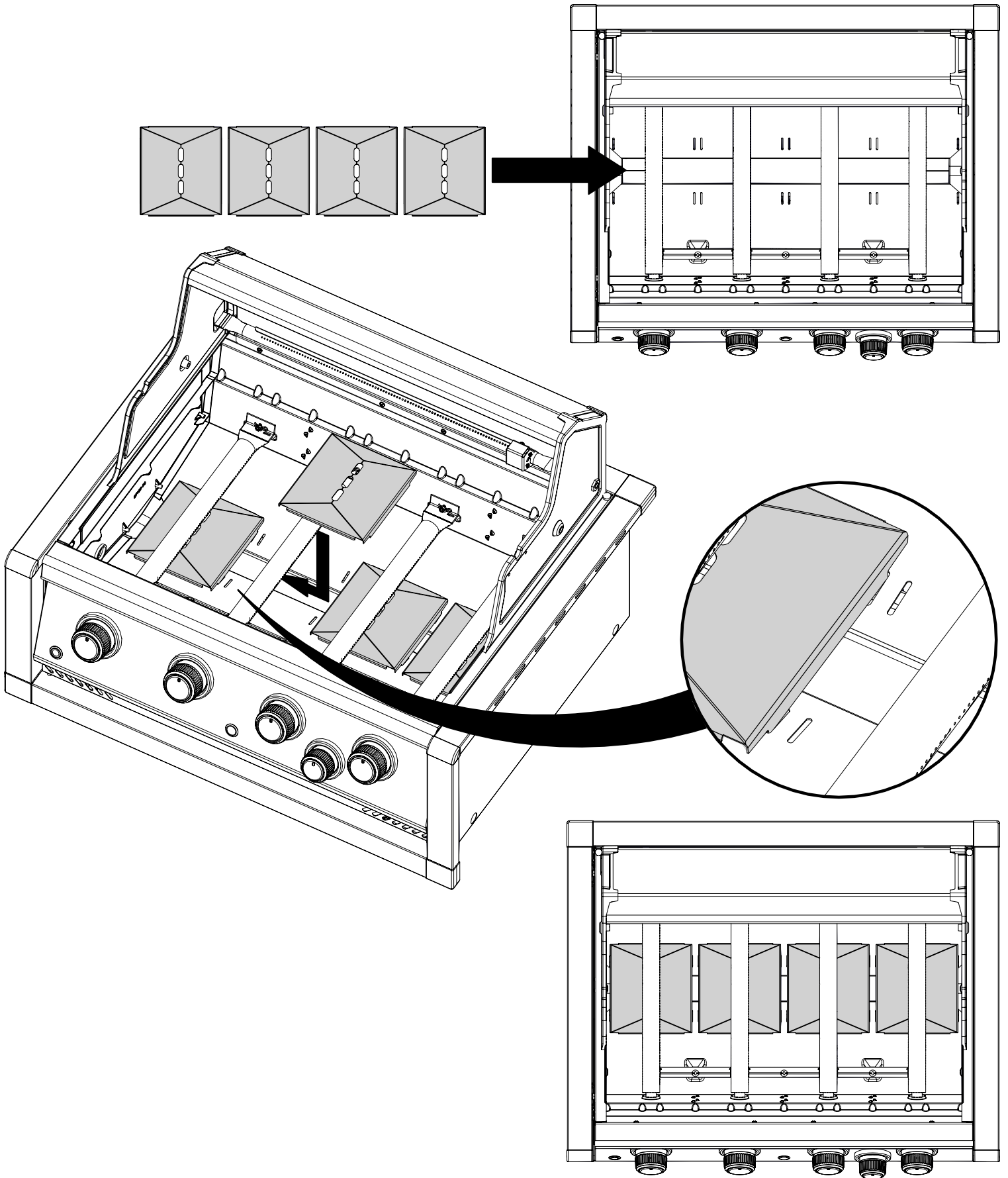
# 4



5

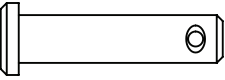
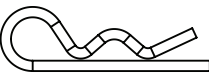


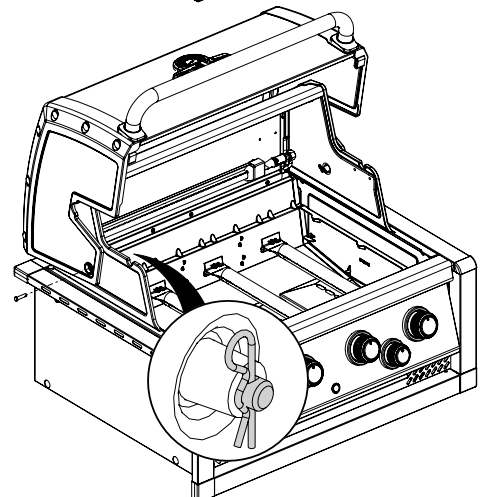
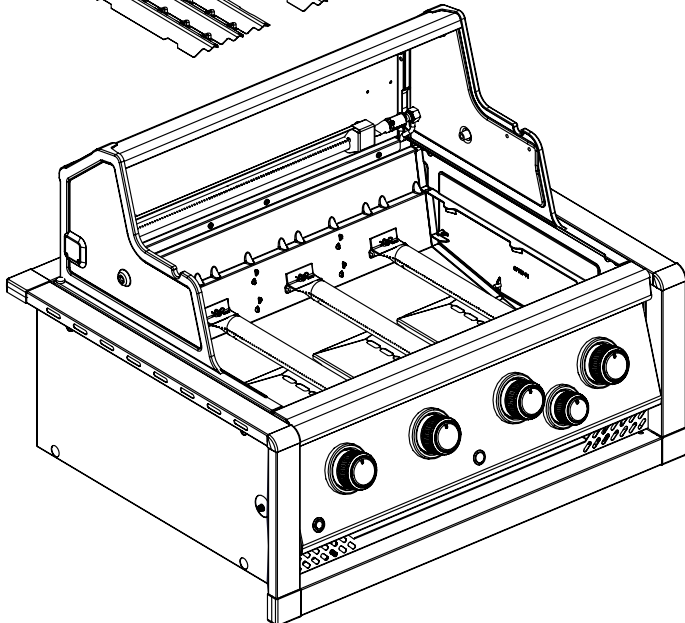
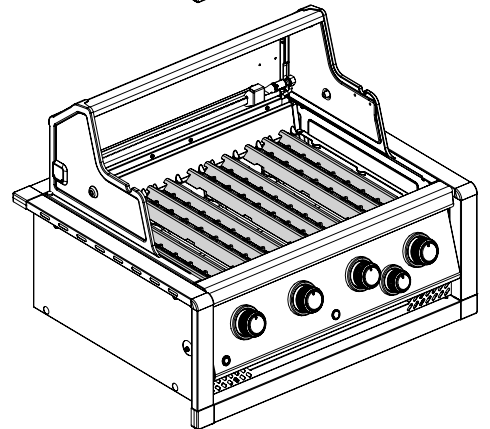
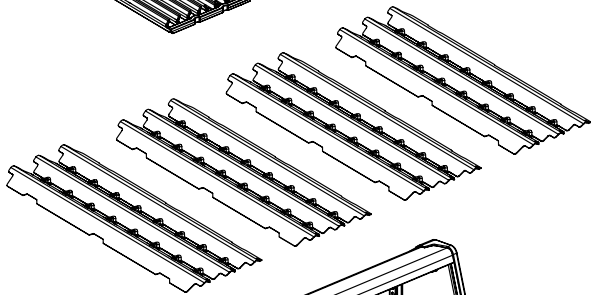
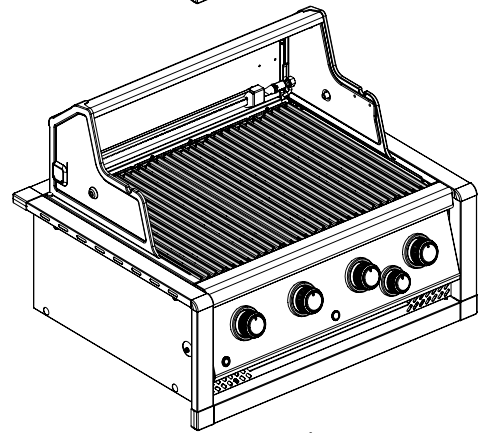
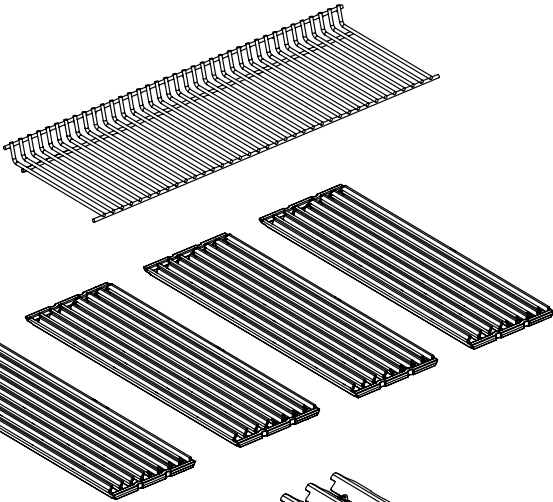
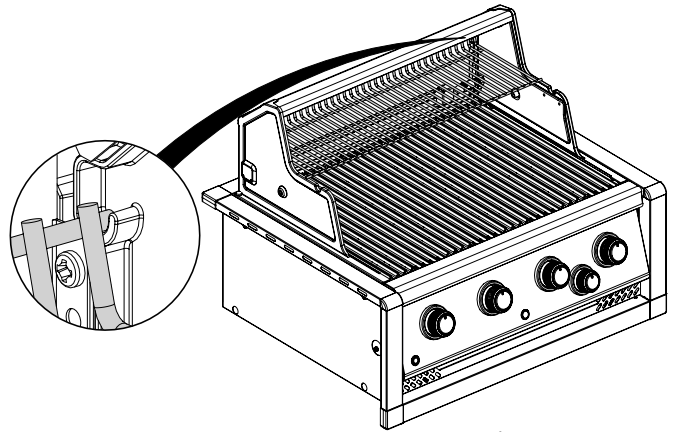
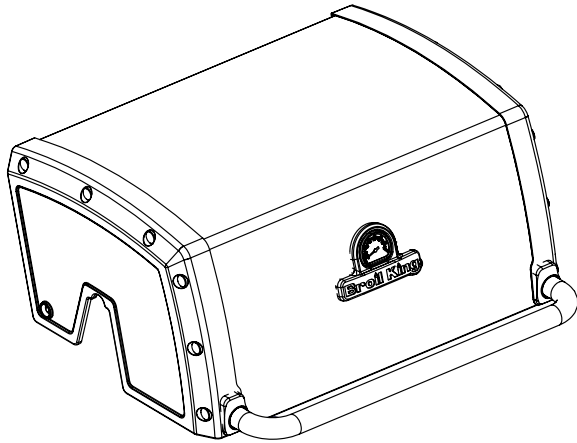
6

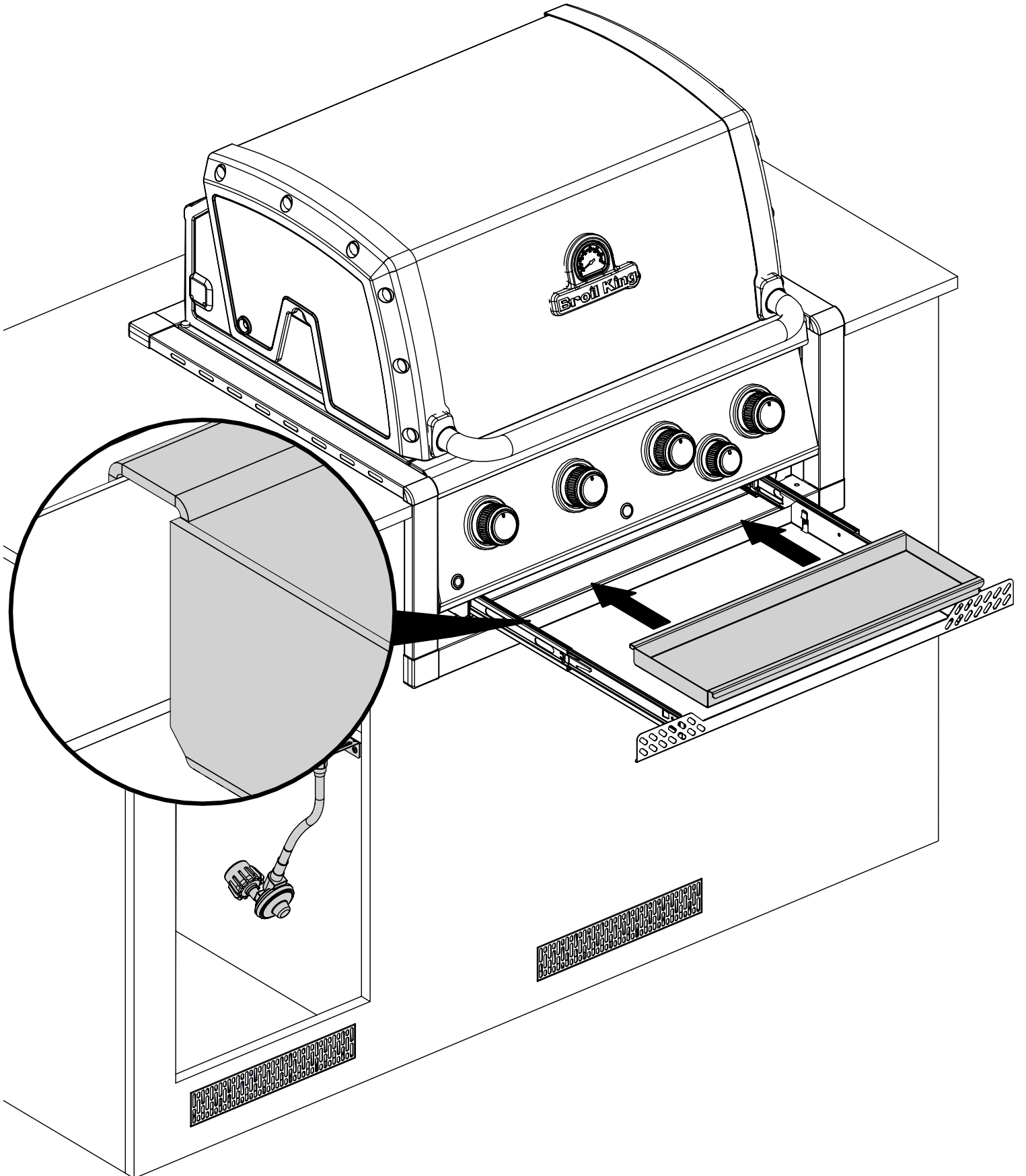




# 7

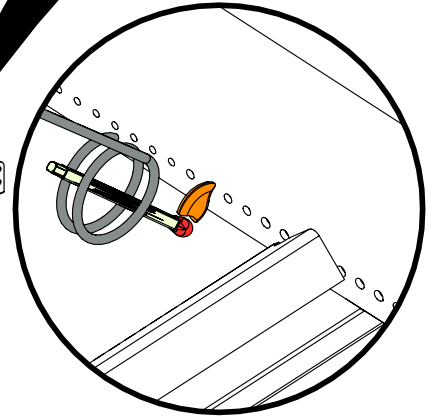
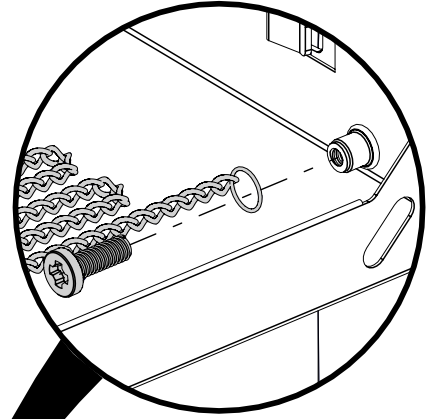
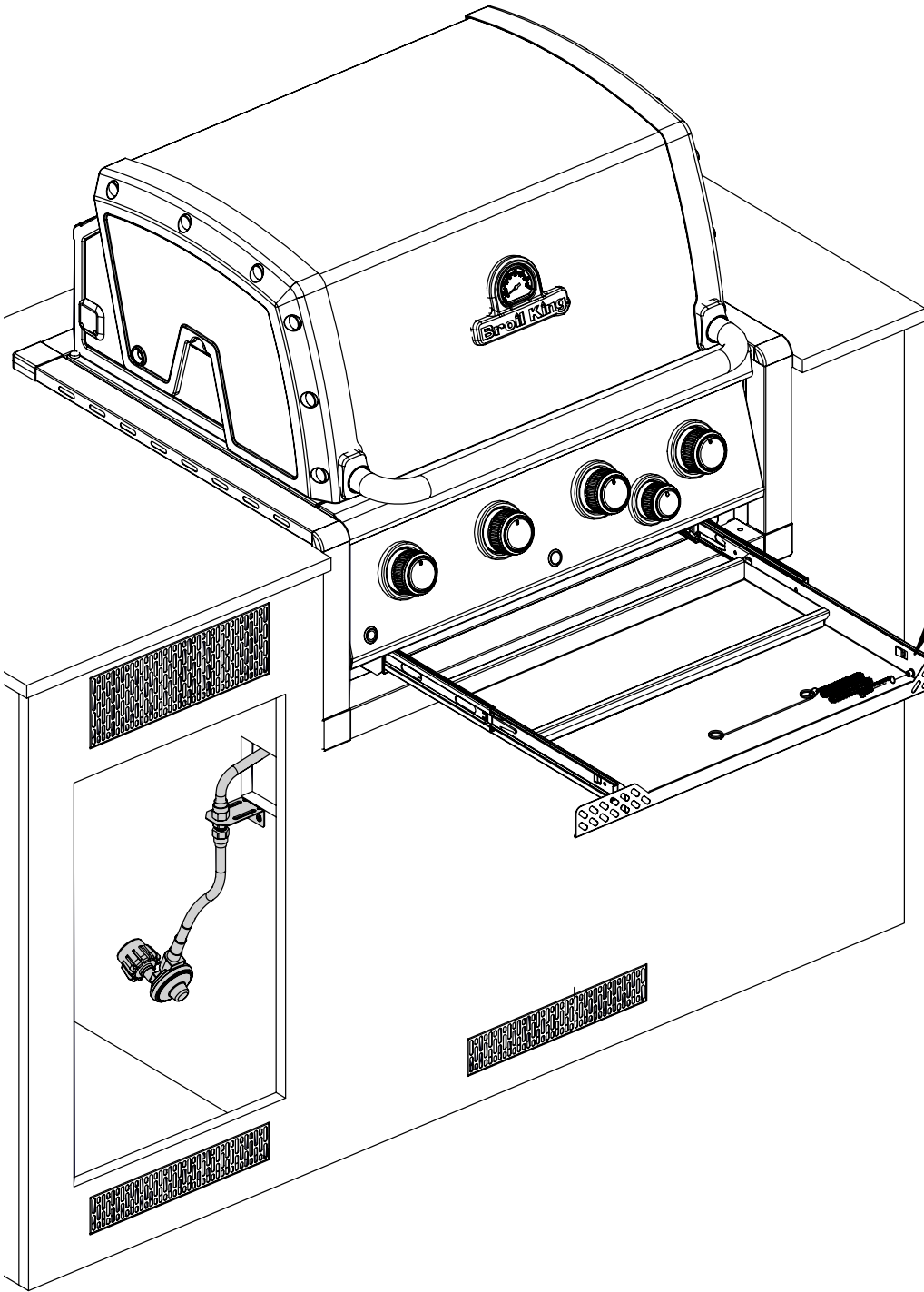
(2)  (2) 

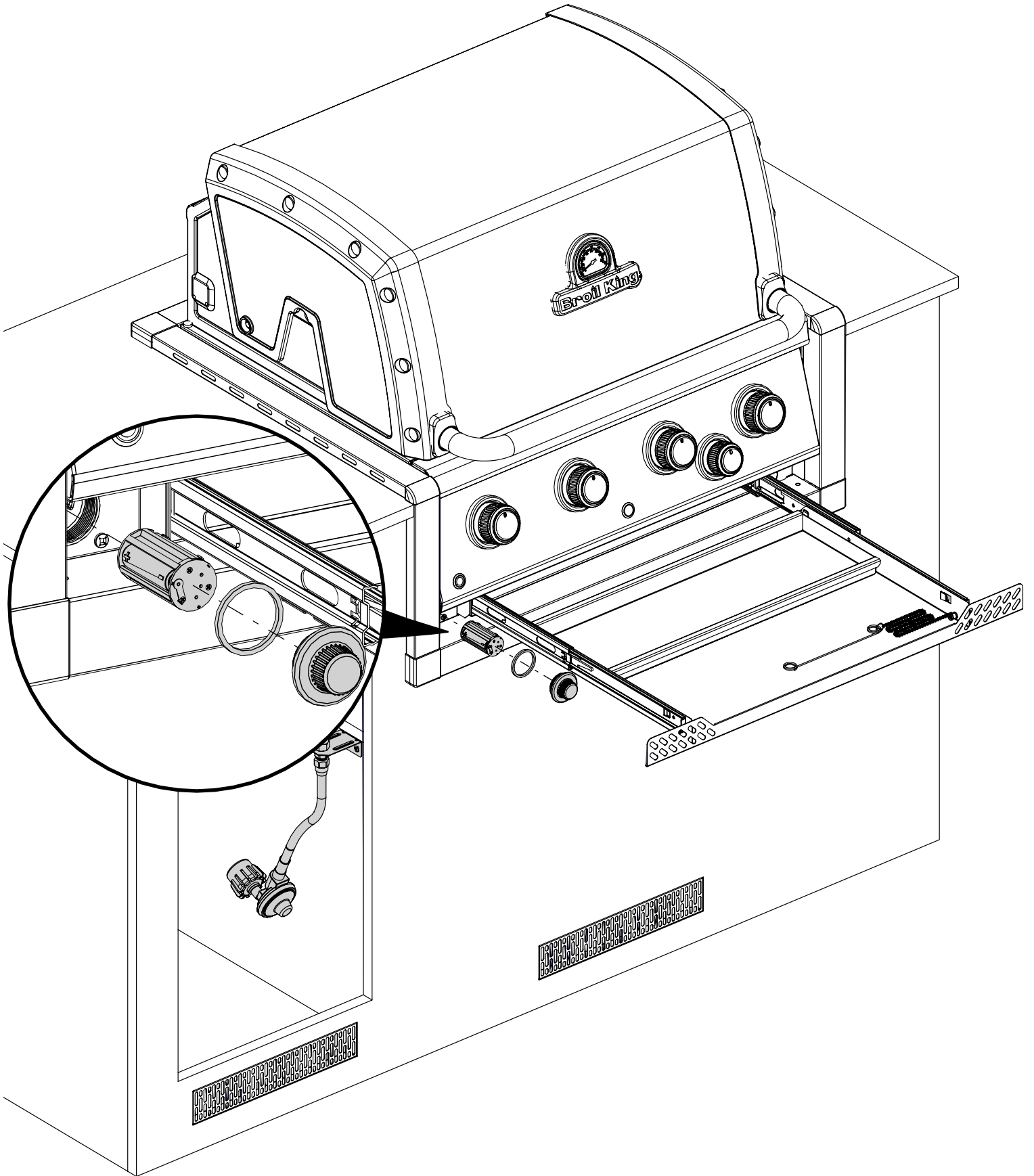


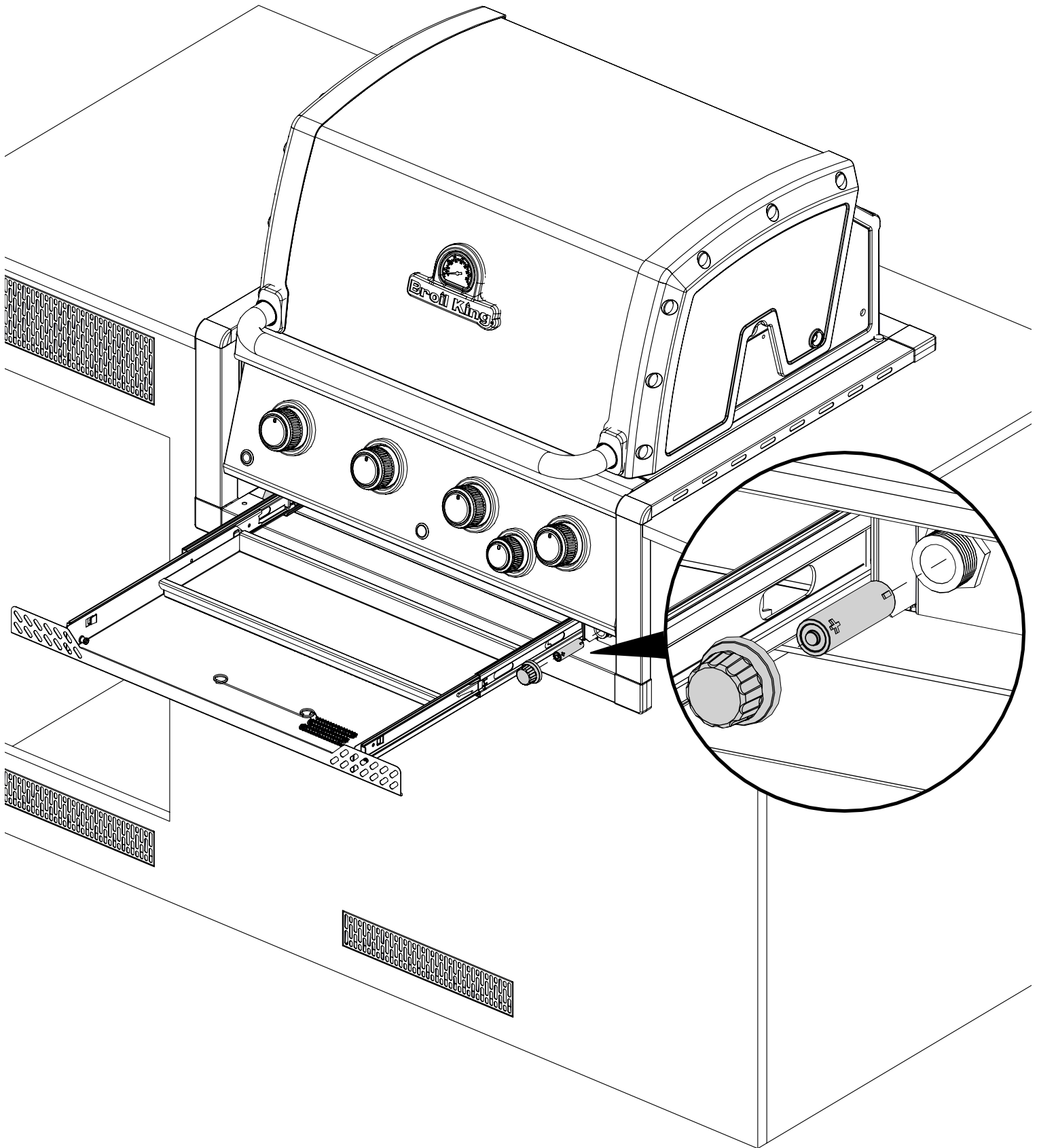


9

(1)  (1)







# 12

